

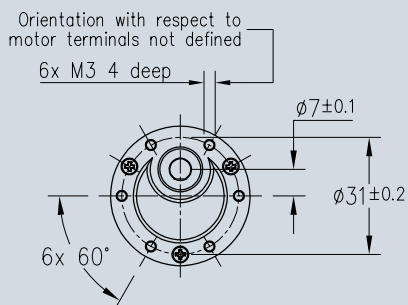
Series MD3626_MD35C

	MD3626	A006V	A012V	B024V	A024V	
Nominal voltage	U_N	6	12	24	30	Volt
Winding resistance	R	$\pm 12\%$	1.6	10.5	25	Ω
Output power	$P_2 \text{ max.}$	5.33	3.19	5.44	4.84	W
No-load speed (motor)	n_o	$\pm 12\%$	5,800	4,620	5,800	rpm
Speed constant	k_n		993	399	249	rpm/V
Back-EMF constant	k_E		1.01	2.51	4.02	mV/rpm
Torque constant	k_M		9.62	23.94	38.40	mNm/A
Current constant	k_I		0.104	0.042	0.026	A/mNm
Slope of n-M curve	$\Delta n/\Delta M$		161	169	157	rpm/mNm
Rotor inductance	L		2,100	13,000	33,000	μH
Rotor inertia	J		18	20	19	gcm^2

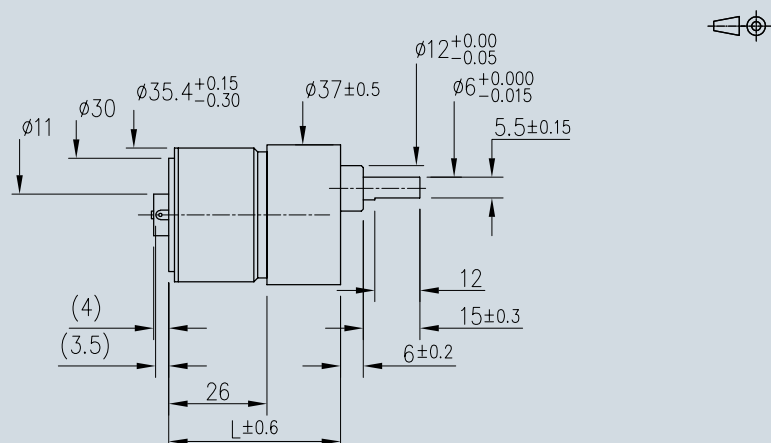
Bearings on output shaft	sintered bronze sleeve
Housing material	zinc die cast
Geartrain material	metal & plastic
Backlash, at no-load	$\leq 3^\circ$
Shaft load max.:	
– radial at (10 mm from bearing)	$\leq 25 \text{ N}$
– axial	$\leq 25 \text{ N}$
Shaft press fit force, max.	$\leq 90 \text{ N}$
Shaft play:	
– radial (on bearing output)	$\leq 0.1 \text{ mm}$
– axial	$\leq 0.35 \text{ mm}$
Operating temperature range	$-10 \dots +60 \text{ }^\circ\text{C}$

MD35C

reduction ratio (nominal)	output speed up to N_{max} RPM	number of gear stages	weight g	length L mm	output torque		direction of rotation (reversible)	efficiency %
					M max. mNm	M max. mNm		
6:1	900	2	155.5	47.4	39	117	CW	81
29:1	190	3	160.4	49.9	192	576	CCW	73
35:1	150	4	167.4	52.4	192	576	CW	66
49:1	110	4	167.4	52.4	294	882	CW	66
59:1	90	4	167.4	52.4	294	882	CW	66
80:1	70	4	167.4	52.4	392	1,176	CW	66
102:1	50	5	172.5	54.9	588	1,764	CCW	59
115:1	45	5	172.5	54.9	588	1,764	CCW	59
129:1	40	5	172.5	54.9	588	1,764	CCW	59
150:1	35	5	172.5	54.9	588	1,764	CCW	59
181:1	30	5	172.5	54.9	588	1,764	CCW	59
200:1	25	5	172.5	54.9	588	1,764	CCW	59
241:1	22	5	172.5	54.9	588	1,764	CCW	59
302:1	18	6	179.6	57.4	588	1,764	CW	53
494:1	11	6	179.6	57.4	588	1,764	CW	53
684:1	8	6	179.6	57.4	588	1,764	CW	53



Front View



MD3626 + MD35C

How to order a MD3626 MD35C

Part number	Ratio	Voltage	Gearhead bearing	Stocked items
MD3626A006V+MD35C	XX:1	6	Sintered bronze	no
MD3626A012V+MD35C	XX:1	12	Sintered bronze	no
MD3626B024V+MD35C	XX:1	24	Sintered bronze	no
MD3626A024V+MD35C	XX:1	30	Sintered bronze	no

XX = The Reduction Ratio Required can be 2 or 3 digits.