

# Planetary Gearheads

## 3 Nm

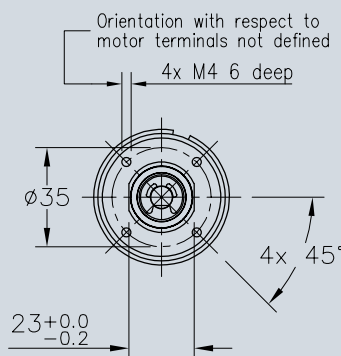
For combination with:  
DC-Motors:  
M4870U

### Series M42P

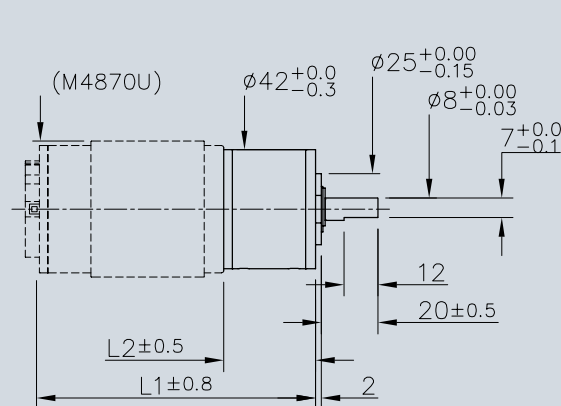
	M42P...YS	M42P...YB
Housing material	metal	metal
Geartrain material	metal	metal
Recommended max. input speed for:		
– continuous operation	4,000 rpm	4,000 rpm
Backlash, at no-load	≤ 3°	≤ 3°
Bearings on output shaft	sleeve bearings	ball bearings
Shaft load, max.:		
– radial (10 mm from mounting face)	≤ 49 N	≤ 78 N
– axial	≤ 29.4 N	≤ 29.4 N
Shaft press fit force. max.	≤ 147 N	≤ 147 N
Shaft play (on bearing output):		
– radial	≤ 0.08 mm	≤ 0.05 mm
– axial	≤ 0.30 mm	≤ 0.30 mm
Operating temperature range	– 10 to + 60 °C (20% to 85% RH)	– 10 to + 60 °C (20% to 85% RH)

### Specifications

reduction ratio (nominal)	number of gear stages	weight sleeve bearing type g	weight ball bearing type g	length without motor L2 mm	length with motor M4870U L1 mm	output torque		direction of rotation (reversible)	efficiency  %
						continuous operation M max. Nm	intermittent operation M max. Nm		
4 :1	1	141	139	32.5	102.5	0.2	0.6	=	80
14 :1	2	193	191	39.2	109.2	0.6	1.9	=	70
17 :1	2	193	191	39.2	109.2	0.8	2.4	=	70
24 :1	2	193	191	39.2	109.2	1.0	2.9	=	70
49 :1	3	233	231	45.9	115.9	1.6	4.7	=	60
61 :1	3	233	231	45.9	115.9	1.8	5.3	=	60
84 :1	3	233	231	45.9	115.9	1.8	5.3	=	60
104 :1	3	233	231	45.9	115.9	2.0	5.9	=	60
144 :1	3	233	231	45.9	115.9	2.0	5.9	=	60
212 :1	4	283	281	52.6	122.6	2.5	7.4	=	50
294 :1	4	283	281	52.6	122.6	2.5	7.4	=	50
504 :1	4	283	281	52.6	122.6	2.9	8.8	=	50
624 :1	4	283	281	52.6	122.6	2.9	8.8	=	50
720 :1	4	283	281	52.6	122.6	2.9	8.8	=	50
864 :1	4	283	281	52.6	122.6	2.9	8.8	=	50
1,062 :1	5	328	326	59.6	129.6	2.9	8.8	=	40
1,470 :1	5	328	326	59.6	129.6	2.9	8.8	=	40
2,500 :1	5	328	326	59.6	129.6	2.9	8.8	=	40
3,000 :1	5	328	326	59.6	129.6	2.9	8.8	=	40
3,600 :1	5	328	326	59.6	129.6	2.9	8.8	=	40



Front View



M42P

