

Planetary Gearheads

1.2 Nm

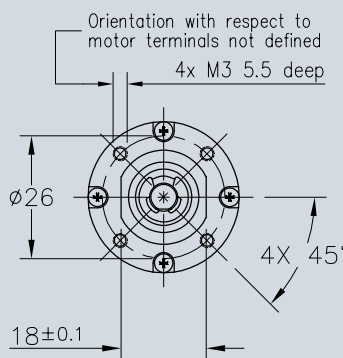
For combination with:
DC-Micromotors:
M3138U

Series M32P

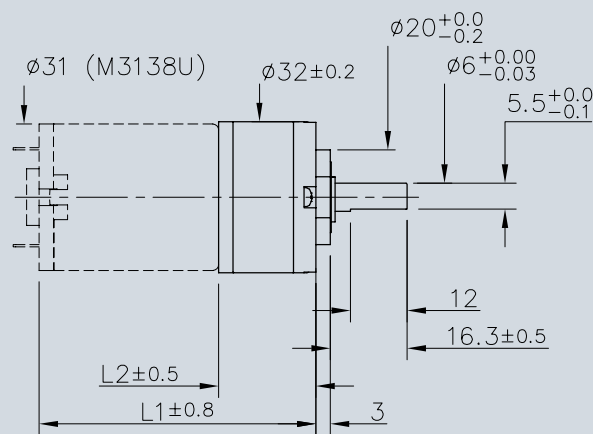
	M32P...YS	M32P...YB
Housing material	metal	metal
Geartrain material	metal	metal
Recommended max. input speed for:		
– continuous operation	5,000 rpm	5,000 rpm
Backlash, at no-load	≤ 2.5°	≤ 2.5°
Bearings on output shaft	sleeve bearings	ball bearings
Shaft load, max.:		
– radial (10 mm from mounting face)	≤ 29.4 N	≤ 34.3 N
– axial	≤ 24.5 N	≤ 24.5 N
Shaft press fit force, max.	≤ 98 N	≤ 98 N
Shaft play (on bearing output):		
– radial	≤ 0.08 mm	≤ 0.05 mm
– axial	≤ 0.3 mm	≤ 0.3 mm
Operating temperature range	– 10 to + 60 °C (20% to 85% RH)	– 10 to + 60 °C (20% to 85% RH)

Specifications

reduction ratio (nominal)	number of gear stages	weight sleeve bearings	weight ball bearing	length without motor	length with motor	output torque		direction of rotation (reversible)	efficiency
						continuous operation	intermittent operation		
		g	g	L2 mm	L1 mm	M max. Nm	M max. Nm		%
4:1	1	102	101	20.6	60.1	0.04	0.13	=	80
5:1	1	102	101	20.6	60.1	0.04	0.13	=	80
14:1	2	122	121	27.0	66.5	0.11	0.32	=	70
19:1	2	122	121	27.0	66.5	0.15	0.44	=	70
27:1	2	122	121	27.0	66.5	0.21	0.62	=	70
35:1	2	122	121	27.0	66.5	0.21	0.62	=	70
51:1	3	147	146	33.4	72.9	0.33	1.00	=	60
71:1	3	147	146	33.4	72.9	0.46	1.38	=	60
100:1	3	147	146	33.4	72.9	0.65	1.94	=	60
139:1	3	147	146	33.4	72.9	0.89	2.68	=	60
189:1	4	173	172	39.8	79.3	0.98	2.94	=	50
264:1	4	173	172	39.8	79.3	1.18	3.53	=	50
516:1	4	173	172	39.8	79.3	1.18	3.53	=	50
721:1	4	173	172	39.8	79.3	1.18	3.53	=	50
939:1	4	173	172	39.8	79.3	1.18	3.53	=	50



Front View



M32P

How to Order a M32P

Part number	Ratio	Description	Stocked items
M32P0004YB000	4:1	Ball Bearings	
M32P0005YB000	5:1	Ball Bearings	X
M32P0014YB000	14:1	Ball Bearings	X
M32P0019YB000	19:1	Ball Bearings	X
M32P0027YB000	27:1	Ball Bearings	X
M32P0035YB000	35:1	Ball Bearings	X
M32P0051YB000	51:1	Ball Bearings	X
M32P0071YB000	71:1	Ball Bearings	X
M32P0100YB000	100:1	Ball Bearings	X
M32P0139YB000	139:1	Ball Bearings	X
M32P0189YB000	189:1	Ball Bearings	X
M32P0264YB000	264:1	Ball Bearings	X
M32P0516YB000	516:1	Ball Bearings	X
M32P0721YB000	721:1	Ball Bearings	X
M32P0939YB000	939:1	Ball Bearings	

M32P000YS000	4:1	Sleeve Bearings	
M32P0005YS000	5:1	Sleeve Bearings	
M32P0014YS000	14:1	Sleeve Bearings	
M32P0019YS000	19:1	Sleeve Bearings	
M32P0027YS000	27:1	Sleeve Bearings	
M32P0035YS000	35:1	Sleeve Bearings	
M32P0051YS000	51:1	Sleeve Bearings	
M32P0071YS000	71:1	Sleeve Bearings	
M32P0100YS000	100:1	Sleeve Bearings	
M32P0139YS000	139:1	Sleeve Bearings	
M32P0189YS000	189:1	Sleeve Bearings	
M32P0264YS000	264:1	Sleeve Bearings	
M32P0516YS000	516:1	Sleeve Bearings	
M32P0721YS000	721:1	Sleeve Bearings	
M32P0939YS000	939:1	Sleeve Bearings	