

For combination with:
DC-Micromotors:
M3138U, MD3626, MD3644

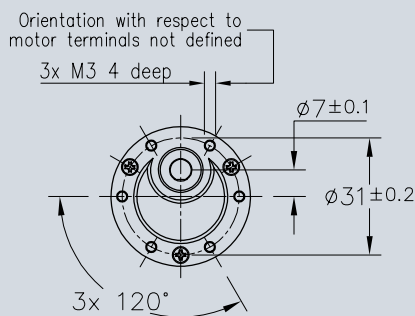
Series MD35C

	MD35C
Housing material	zinc die cast
Geartrain material	metal, plastic with helical input stage
Recommended max. input speed for:	
– continuous operation	5,000 rpm
Backlash, at no-load	≤ 3°
Bearings on output shaft	sleeve
Shaft load, max.:	
– radial (10 mm from mounting face)	≤ 30 N
– axial	≤ 25 N
Shaft press fit force. max.	≤ 60 N
Shaft play (on bearing output):	
– radial	≤ 0.1 mm
– axial	≤ 0.35 mm
Operating temperature range	– 10 to + 60 °C

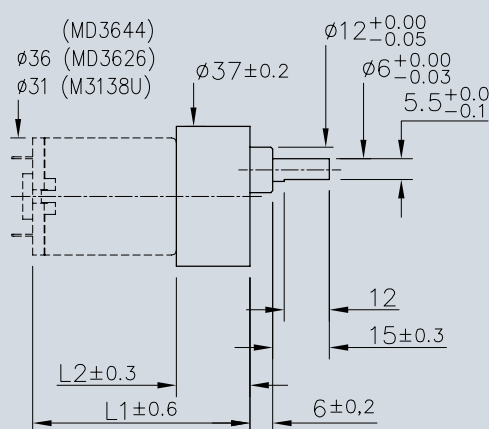
Specifications

reduction ratio (nominal)	number of gear stages	weight sleeve type g	length without motor L2 mm	length with motor MD3138 L1 mm	length with motor MD3626 L1 mm	length with motor MD3644 L1 mm	output torque		direction of rotation (reversible)	efficiency %
							continuous operation M max. mNm	intermittent operation M max. mNm		
6:1	2	90.5	19.0	56.3	45.0	62.3	98	294	CW	81
15:1	3	95.4	21.5	58.8	46.8	64.8	98	294	CCW	73
18:1	3	95.4	21.5	58.8	46.8	64.8	98	294	CCW	73
29:1	3	95.4	21.5	58.8	46.8	64.8	196	588	CCW	73
35:1	4	102.4	24.0	61.3	49.3	67.3	196	588	CW	66
49:1	4	102.4	24.0	61.3	49.3	67.3	294	882	CW	66
59:1	4	102.4	24.0	61.3	49.3	67.3	294	882	CW	66
80:1	4	102.4	24.0	61.3	49.3	67.3	392	1,176	CW	66
102:1	5	107.5	26.8	63.8	51.3	69.8	588	1,764	CCW	59
115:1	5	107.5	26.8	63.8	51.3	69.8	588	1,764	CCW	59
129:1	5	107.5	26.8	63.8	51.3	69.8	588	1,176	CCW	59
150:1	5	107.5	26.8	63.8	51.3	69.8	588	1,176	CCW	59
181:1	5	107.5	26.8	63.8	51.3	69.8	588	1,764	CCW	59
200:1	5	107.5	26.8	63.8	51.3	69.8	588	1,764	CCW	59
241:1	5	107.5	26.8	63.8	51.3	69.8	588	1,764	CCW	59
302:1	6	114.6	29.0	66.3	54.3	72.3	588	1,764	CW	53
494:1	6	114.6	29.0	66.3	54.3	72.3	588	1,764	CW	53
684:1	6	114.6	29.0	66.3	54.3	72.3	588	1,764	CW	53

weight includes washer, pinion and screws



Front View



MD35C

How to Order a MD35C

Part number	Ratio	Description	Stocked item
MD35C 06:1	6:1	Sleeve bearings	
MD35C 15:1	15:1	Sleeve bearings	
MD35C 18:1	18:1	Sleeve bearings	
MD35C 29:1	29:1	Sleeve bearings	X
MD35C 35:1	35:1	Sleeve bearings	X
MD35C 49:1	49:1	Sleeve bearings	X
MD35C 59:1	59:1	Sleeve bearings	X
MD35C 80:1	80:1	Sleeve bearings	X
MD35C 102:1	102:1	Sleeve bearings	X
MD35C 115:1	115:1	Sleeve bearings	X
MD35C 129:1	129:1	Sleeve bearings	X
MD35C 150:1	150:1	Sleeve bearings	X
MD35C 181:1	181:1	Sleeve bearings	X
MD35C 200:1	200:1	Sleeve bearings	X
MD35C 241:1	241:1	Sleeve bearings	X
MD35C 302:1	302:1	Sleeve bearings	X
MD35C 494:1	494:1	Sleeve bearings	X
MD35C 684:1	684:1	Sleeve bearings	X