

Planetary Gearheads

0.6 Nm

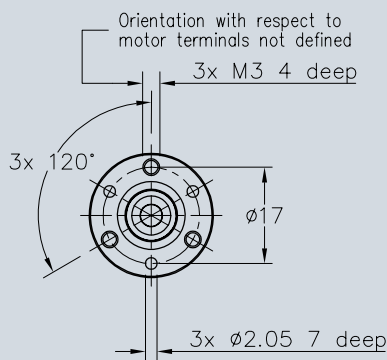
For combination with:
DC-Micromotors:
MD2230, M2232U

Series MD22P

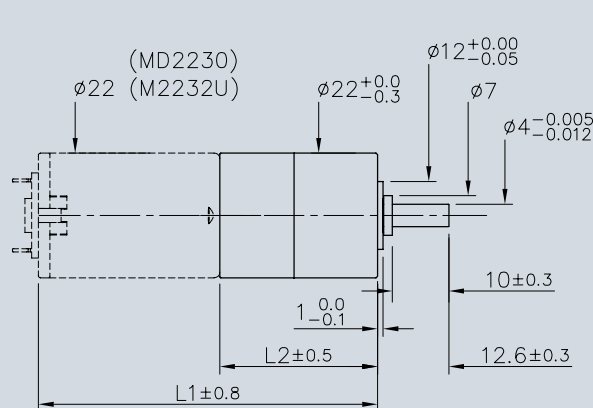
	MD22P	MD22PC	MD22PK
Housing material	plastic	plastic	plastic
Geartrain material	plastic	plastic	plastic
Recommended max. input speed for:			
– continuous operation	5,000 rpm	5,000 rpm	5,000 rpm
Backlash, at no-load	≤ 3°	≤ 3°	≤ 3°
Bearings on output shaft	sintered sleeve bearings	ceramic bearings	ball bearings
Shaft load, max.:			
– radial (5 mm from mounting face)	≤ 3 N	≤ 15 N	≤ 50 N
– axial	≤ 3 N	≤ 2 N	≤ 5 N
Shaft press fit force, max.	≤ 15 N	≤ 15 N	≤ 15 N
Shaft play			
– radial (5 mm from mounting face)	≤ 0.05 mm	≤ 0.06 mm	≤ 0.04 mm
– axial	≤ 0.25 mm	≤ 0.25 mm	≤ 0.25 mm
Operating temperature range	– 30 to + 65 °C	– 30 to + 85 °C	– 30 to + 85 °C

Specifications

reduction ratio (nominal)	number of gear stage	weight without motor	length without motor L2	length with motor M2232U L1	output torque		direction of rotation (reversible)	efficiency
					continuous operation	intermittent operation		
		g	mm	mm	M max.	M max.	=	%
19 :1	2	17	27.8	59.80	200	400	=	78
28 :1	2	17	27.8	59.80	200	400	=	77
69 :1	3	19	32.8	64.80	300	600	=	69
102 :1	3	19	32.8	64.80	300	600	=	68
152 :1	3	19	32.8	64.80	400	800	=	67
249 :1	4	20	37.8	69.80	400	800	=	62
369 :1	4	20	37.8	69.80	500	1,000	=	61
546 :1	4	20	37.8	69.80	600	1,000	=	60
809 :1	4	20	37.8	69.80	600	1,000	=	59
896 :1	5	22	42.8	74.80	600	1,000	=	55
1,327 :1	5	22	42.8	74.80	600	1,000	=	54
1,966 :1	5	22	42.8	74.80	600	1,000	=	53
2,913 :1	5	22	42.8	74.80	600	1,000	=	52
3,225 :1	6	24	47.8	79.80	600	1,000	=	49
4,315 :1	5	22	42.8	74.80	600	1,000	=	51
4,778 :1	6	24	47.8	79.80	600	1,000	=	48
7,078 :1	6	24	47.8	79.80	600	1,000	=	47
10,486 :1	6	24	47.8	79.80	600	1,000	=	46
15,534 :1	6	24	47.8	79.80	600	1,000	=	46
23,014 :1	6	24	47.8	79.80	600	1,000	=	46



Front View



MD22P

How to order a MD22P

Part number	Ratio	Description	Stocked item
MD22P 19:1	19:1	Sintered sleeve bearings	X
MD22P 28:1	28:1	Sintered sleeve bearings	X
MD22P 69:1	69:1	Sintered sleeve bearings	X
MD22P 102:1	102:1	Sintered sleeve bearings	X
MD22P 152:1	152:1	Sintered sleeve bearings	X
MD22P 249:1	249:1	Sintered sleeve bearings	X
MD22P 369:1	369:1	Sintered sleeve bearings	X
MD22P 546:1	546:1	Sintered sleeve bearings	X
MD22P 809:1	809:1	Sintered sleeve bearings	X
MD22P 896:1	896:1	Sintered sleeve bearings	X
MD22P 1327:1	1 327:1	Sintered sleeve bearings	
MD22P 1966:1	1 966:1	Sintered sleeve bearings	
MD22P 2913:1	2 913:1	Sintered sleeve bearings	
MD22P 3225:1	3 225:1	Sintered sleeve bearings	
MD22P 4315:1	4 315:1	Sintered sleeve bearings	
MD22P 4778:1	4 778:1	Sintered sleeve bearings	
MD22P 7078:1	7 078:1	Sintered sleeve bearings	
MD22P 10486:1	10 486:1	Sintered sleeve bearings	
MD22P 15534:1	15 534:1	Sintered sleeve bearings	
MD22P 23014:1	23 014:1	Sintered sleeve bearings	
MD22PC 19:1	19:1	Ceramic bearings	
MD22PC 28:1	28:1	Ceramic bearings	
MD22PC 69:1	69:1	Ceramic bearings	
MD22PC 102:1	102:1	Ceramic bearings	
MD22PC 152:1	152:1	Ceramic bearings	
MD22PC 249:1	249:1	Ceramic bearings	
MD22PC 369:1	369:1	Ceramic bearings	
MD22PC 546:1	546:1	Ceramic bearings	
MD22PC 809:1	809:1	Ceramic bearings	
MD22PC 896:1	896:1	Ceramic bearings	
MD22PC 1327:1	1 327:1	Ceramic bearings	
MD22PC 1966:1	1 966:1	Ceramic bearings	
MD22PC 2913:1	2 913:1	Ceramic bearings	
MD22PC 3225:1	3 225:1	Ceramic bearings	
MD22PC 4315:1	4 315:1	Ceramic bearings	
MD22PC 4778:1	4 778:1	Ceramic bearings	
MD22PC 7078:1	7 078:1	Ceramic bearings	
MD22PC 10486:1	10 486:1	Ceramic bearings	
MD22PC 15534:1	15 534:1	Ceramic bearings	
MD22PC 23014:1	23 014:1	Ceramic bearings	
MD22PK 19:1	19:1	Ball bearings	
MD22PK 28:1	28:1	Ball bearings	
MD22PK 69:1	69:1	Ball bearings	
MD22PK 102:1	102:1	Ball bearings	
MD22PK 152:1	152:1	Ball bearings	
MD22PK 249:1	249:1	Ball bearings	
MD22PK 369:1	369:1	Ball bearings	
MD22PK 546:1	546:1	Ball bearings	
MD22PK 809:1	809:1	Ball bearings	
MD22PK 896:1	896:1	Ball bearings	
MD22PK 1327:1	1 327:1	Ball bearings	
MD22PK 1966:1	1 966:1	Ball bearings	
MD22PK 2913:1	2 913:1	Ball bearings	
MD22PK 3225:1	3 225:1	Ball bearings	
MD22PK 4315:1	4 315:1	Ball bearings	
MD22PK 4778:1	4 778:1	Ball bearings	
MD22PK 7078:1	7 078:1	Ball bearings	
MD22PK 10486:1	10 486:1	Ball bearings	
MD22PK 15534:1	15 534:1	Ball bearings	
MD22PK 23014:1	23 014:1	Ball bearings	