

For combination with
DC-Motors:
MD1622

Series MD15P

	MD15P	MD15PC	MD15PK
Housing material	plastic	plastic	plastic
Geartrain material	plastic	plastic	plastic
Recommended max. input speed for:			
– continuous operation	5,000 rpm	5,000 rpm	5,000 rpm
Backlash, at no-load	≤ 4°	≤ 4°	≤ 4°
Bearings on output shaft	sintered sleeve bearings	ceramic bearings	ball bearings
Shaft load, max.:			
– radial (5 mm from mounting face)	≤ 3 N	≤ 10 N	≤ 15 N
– axial	≤ 1 N	≤ 2 N	≤ 5 N
Shaft press fit force, max.	≤ 10 N	≤ 10 N	≤ 10 N
Shaft play:			
– radial (5 mm from mounting face)	≤ 0.06 mm	≤ 0.08 mm	≤ 0.06 mm
– axial	≤ 0.25 mm	≤ 0.25 mm	≤ 0.25 mm
Operating temperature range	– 30 to + 65 °C	– 20 to + 85 °C	– 30 to + 85 °C

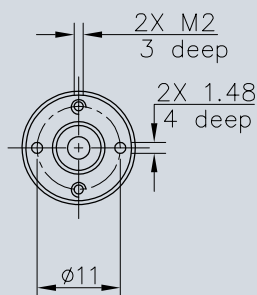
Specifications

reduction ratio (nominal)	number of gear stages	weight without motor g	length without motor L2 mm	length with motor MD1622 L1 mm	output torque		direction of rotation (reversible)	efficiency %
					continuous operation M max. mNm	intermittent operation M max. mNm		
14 :1	2	5	18.4	39.7	100	200	=	78
19 :1	2	5	18.4	39.7	100	200	=	78
28 :1	2	5	18.4	39.7	100	200	=	77
52 :1	3	5	22.0	43.3	100	200	=	68
69 :1	3	5	22.0	43.3	100	200	=	69
102 :1	3	5	22.0	43.3	100	200	=	68
152 :1	3	5	22.0	43.3	150	300	=	67
249 :1	4	6	25.6	46.9	200	400	=	62
369 :1	4	6	25.6	46.9	200	400	=	61
546 :1	4	6	25.6	46.9	200	400	=	60
809 :1	4	6	25.6	46.9	200	400	=	59
896 :1	5	6	29.2	50.5	200	400	=	55
1,327 :1	5	6	29.2	50.5	200	400	=	54
1,966 :1	5	6	29.2	50.5	200	400	=	53
2,913 :1	5	6	29.2	50.5	250	400	=	52
3,225 :1	6	7	32.8	54.1	250	400	=	49
4,315 :1	5	6	29.2	50.5	250	400	=	51
4,778 :1	6	7	32.8	54.1	250	400	=	48
7,078 :1	6	7	32.8	54.1	250	400	=	47
10,486 :1	6	7	32.8	54.1	250	400	=	46
15,534 :1	6	7	32.8	54.1	250	400	=	46
23,014 :1	6	7	32.8	54.1	250	400	=	45

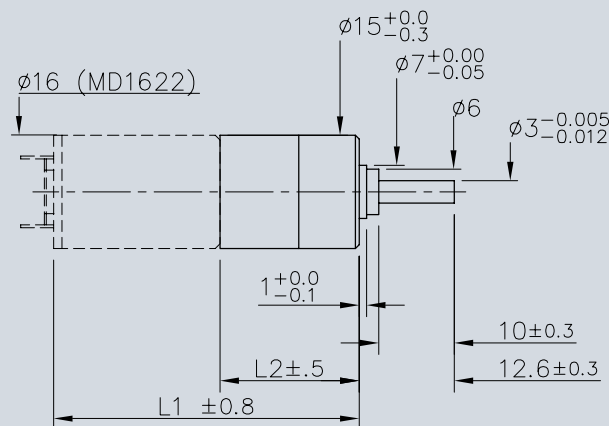
These gearheads are available only with motors mounted.

Note: The reduction ratios are rounded, the exact values are available on request.

Orientation with respect to motor
terminals not defined



Front View



MD15P

Series MD15P

Part number	Ratio	Description	Stocked item
MD15P 14:1	14:1	Sintered sleeve bearing	X
MD15P 19:1	19:1	Sintered sleeve bearing	X
MD15P 28:1	28:1	Sintered sleeve bearing	X
MD15P 52:1	52:1	Sintered sleeve bearing	X
MD15P 69:1	69:1	Sintered sleeve bearing	X
MD15P 102:1	102:1	Sintered sleeve bearing	X
MD15P 152:1	152:1	Sintered sleeve bearing	X
MD15P 249:1	249:1	Sintered sleeve bearing	X
MD15P 369:1	369:1	Sintered sleeve bearing	X
MD15P 546:1	546:1	Sintered sleeve bearing	X
MD15P 809:1	809:1	Sintered sleeve bearing	
MD15P 896:1	896:1	Sintered sleeve bearing	
MD15P 1327:1	1327:1	Sintered sleeve bearing	
MD15P 1966:1	1966:1	Sintered sleeve bearing	
MD15P 2913:1	2913:1	Sintered sleeve bearing	
MD15P 3225:1	3225:1	Sintered sleeve bearing	
MD15P 4315:1	4315:1	Sintered sleeve bearing	
MD15P 4778:1	4778:1	Sintered sleeve bearing	
MD15P 7078:1	7078:1	Sintered sleeve bearing	
MD15P 10486:1	10486:1	Sintered sleeve bearing	
MD15P 15534:1	15534:1	Sintered sleeve bearing	
MD15P 23014:1	23014:1	Sintered sleeve bearing	
MD15PC 14:1	14:1	Ceramic bearing	
MD15PC 19:1	19:1	Ceramic bearing	
MD15PC 28:1	28:1	Ceramic bearing	
MD15PC 52:1	52:1	Ceramic bearing	
MD15PC 69:1	69:1	Ceramic bearing	
MD15PC 102:1	102:1	Ceramic bearing	
MD15PC 152:1	152:1	Ceramic bearing	
MD15PC 249:1	249:1	Ceramic bearing	
MD15PC 369:1	369:1	Ceramic bearing	
MD15PC 546:1	546:1	Ceramic bearing	
MD15PC 809:1	809:1	Ceramic bearing	
MD15PC 896:1	896:1	Ceramic bearing	
MD15PC 1327:1	1327:1	Ceramic bearing	
MD15PC 1966:1	1966:1	Ceramic bearing	
MD15PC 2913:1	2913:1	Ceramic bearing	
MD15PC 3225:1	3225:1	Ceramic bearing	
MD15PC 4315:1	4315:1	Ceramic bearing	
MD15PC 4778:1	4778:1	Ceramic bearing	
MD15PC 7078:1	7078:1	Ceramic bearing	
MD15PC 10486:1	10486:1	Ceramic bearing	
MD15PC 15534:1	15534:1	Ceramic bearing	
MD15PC 23014:1	23014:1	Ceramic bearing	
MD15PK 14:1	14:1	Ball bearing	
MD15PK 19:1	19:1	Ball bearing	
MD15PK 28:1	28:1	Ball bearing	
MD15PK 52:1	52:1	Ball bearing	
MD15PK 69:1	69:1	Ball bearing	
MD15PK 102:1	102:1	Ball bearing	
MD15PK 152:1	152:1	Ball bearing	
MD15PK 249:1	249:1	Ball bearing	
MD15PK 369:1	369:1	Ball bearing	
MD15PK 546:1	546:1	Ball bearing	
MD15PK 809:1	809:1	Ball bearing	
MD15PK 896:1	896:1	Ball bearing	
MD15PK 1327:1	1327:1	Ball bearing	
MD15PK 1966:1	1966:1	Ball bearing	
MD15PK 2913:1	2913:1	Ball bearing	
MD15PK 3225:1	3225:1	Ball bearing	
MD15PK 4315:1	4315:1	Ball bearing	
MD15PK 4778:1	4778:1	Ball bearing	
MD15PK 7078:1	7078:1	Ball bearing	
MD15PK 10486:1	10486:1	Ball bearing	
MD15PK 15534:1	15534:1	Ball bearing	
MD15PK 23014:1	23014:1	Ball bearing	