

DC-Micromotors

Graphite Commutation

3,6 mNm
4 W

Series 1336 ... CXR

Values at 22°C and nominal voltage		1336 U	006 CXR	012 CXR	024 CXR	
1	Nominal voltage	U_N	6	12	24	V
2	Terminal resistance	R	3,98	15,6	63,7	Ω
3	Efficiency, max.	η_{max}	58	62	64	%
4	No-load speed	n_0	8 300	8 700	8 900	min ⁻¹
5	No-load current, typ. (with shaft \varnothing 2 mm)	I_0	0,058	0,029	0,014	A
6	Stall torque	M_H	8,1	8,6	8,6	mNm
7	Friction torque	M_R	0,35	0,35	0,35	mNm
8	Speed constant	k_n	1 568	783	392	min ⁻¹ /V
9	Back-EMF constant	k_E	0,638	1,277	2,552	mV/min ⁻¹
10	Torque constant	k_M	6,09	12,19	24,37	mNm/A
11	Current constant	k_I	0,164	0,082	0,041	A/mNm
12	Slope of n-M curve	$\Delta n / \Delta M$	1 025	1 003	1 024	min ⁻¹ /mNm
13	Rotor inductance	L	70	280	1 100	μ H
14	Mechanical time constant	τ_m	5,9	6	6	ms
15	Rotor inertia	J	0,55	0,57	0,56	gcm ²
16	Angular acceleration	α_{max}	147	152	154	$\cdot 10^3$ rad/s ²
17	Thermal resistance	R_{th1} / R_{th2}	13 / 28			K/W
18	Thermal time constant	τ_{w1} / τ_{w2}	11 / 245			s
19	Operating temperature range:					
	– motor		-30 ... +100			°C
	– winding, max. permissible		+125			°C
20	Shaft bearings		ball bearings, preloaded			
21	Shaft load max.:					
	– with shaft diameter		2			mm
	– radial at 3 000 min ⁻¹ (3 mm from bearing)		8			N
	– axial at 3 000 min ⁻¹		0,8			N
	– axial at standstill		10			N
22	Shaft play:					
	– radial	\leq	0,015			mm
	– axial	$=$	0			mm
23	Housing material		steel, nickel plated			
24	Mass		21			g
25	Direction of rotation		clockwise, viewed from the front face			
26	Speed up to	n_{max}	10 000			min ⁻¹
27	Number of pole pairs		1			
28	Magnet material		NdFeB			

Rated values for continuous operation

29	Rated torque	M_N	3,5	3,6	3,6	mNm
30	Rated current (thermal limit)	I_N	0,7	0,36	0,18	A
31	Rated speed	n_N	2 780	3 170	3 250	min ⁻¹

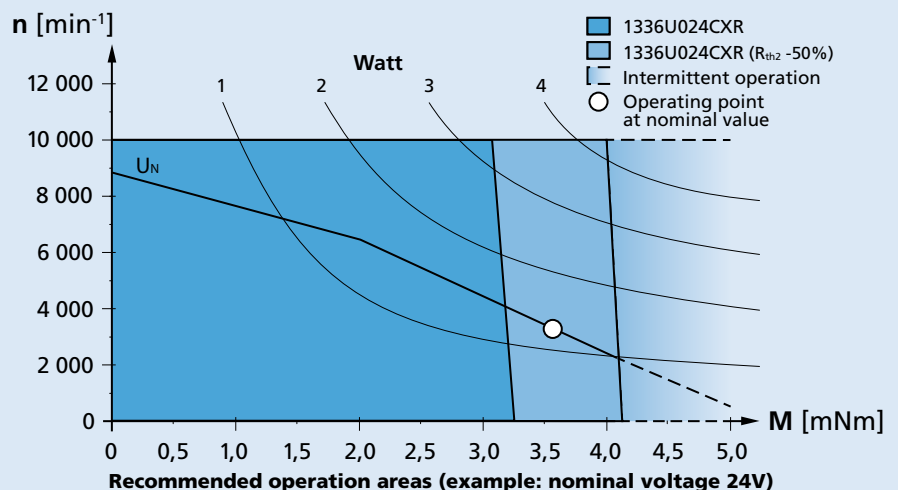
Note: Rated values are calculated with nominal voltage and at a 22°C ambient temperature. The R_{th2} value has been reduced by 25%.

Note:

The diagram indicates the recommended speed in relation to the available torque at the output shaft for a given ambient temperature of 22°C.

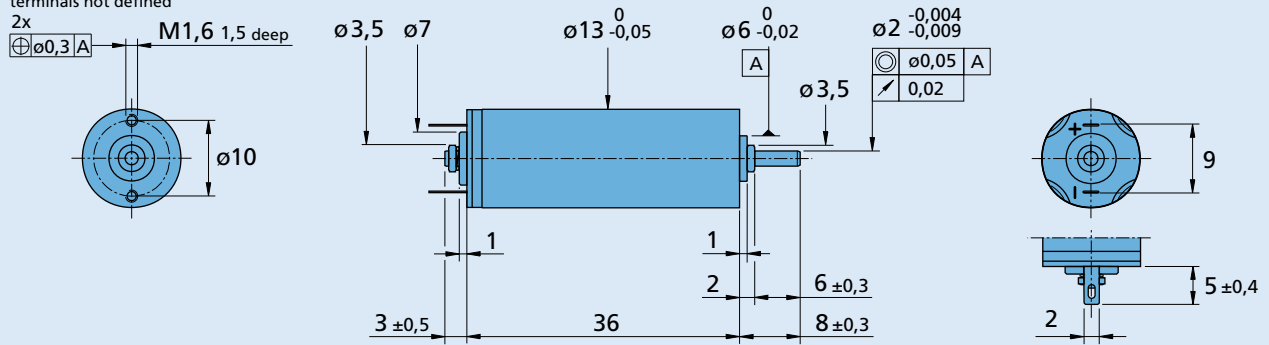
The diagram shows the motor in a completely insulated as well as thermally coupled condition (R_{th2} 50% reduced).

The nominal voltage (U_N) curve shows the operating point at nominal voltage in the insulated and thermally coupled condition. Any points of operation above the curve at nominal voltage will require a higher operating voltage. Any points below the nominal voltage curve will require less voltage.



Dimensional drawing

Orientation with respect to motor terminals not defined



1336 U ... CXR

Options

Example product designation: **1336U012CXR-217**

Option	Type	Description
L	Twin Leads	For motors with twin leads (PVC), length 150 mm, red (+) / black (-)
4924	Twin Leads	For motors with twin leads (PVC), length 300 mm, red (+) / black (-)
X4924	Twin Leads	For motors with twin leads (PVC), length 600 mm, red (+) / black (-)
4925	Twin Leads	For motors with twin leads (PVC), length 150 mm, red (+) / black (-), with connector AMP 179228-2
X4925	Twin Leads	For motors with twin leads (PVC), length 300 mm, red (+) / black (-), with connector AMP 179228-2
Y4925	Twin Leads	For motors with twin leads (PVC), length 600 mm, red (+) / black (-), with connector AMP 179228-2
F	Single Leads	For motors with single leads (PTFE), length 150 mm, red (+) / black (-)
XX123	Encoder combination	Motor with rear end shaft for combination with Encoder IE2, IEH2 and IEH3
217	Bearings	Motor with sintered bearings

Product combination

Precision Gearheads / Lead Screws	Encoders	Drive Electronics	Cables / Accessories
13A 14/1	IE2-16 IE2-1024 IEH2-4096 IEH3-4096	SC 1801 MC 5004 MCDC 3002	To view our large range of accessory parts, please refer to the "Accessories" chapter.