

Spur Gearheads

1,2 Nm

For combination with
DC-Micromotors
Brushless DC-Motors

Series 38/3

	38/3
Housing material	plastic/metal
Geartrain material	plastic/steel
Recommended max. input speed for:	
– continuous operation	5 000 rpm
Backlash, at no-load	≤ 2 °
Bearings on output shaft	sintered bearings
Shaft load, max.:	
– radial (15 mm from mounting face)	≤ 50 N
– axial	≤ 30 N
Shaft press fit force, max.	≤ 500 N
Shaft play	
– radial (15 mm from mounting face)	≤ 0,07 mm
– axial	≤ 0,5 mm
Operating temperature range	- 15 ... + 65 °C

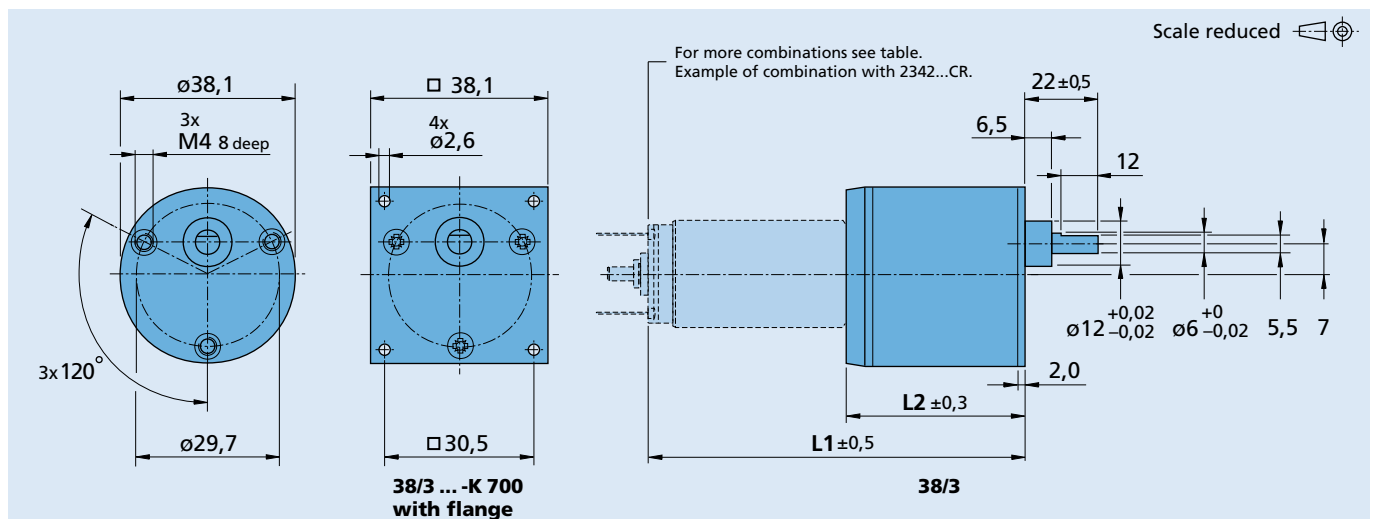
Specifications

	2	3	3	4	4	5	5	6	6	
Number of gear stages										
Continuous torque	mNm	75	150	225	325	450	600	800	1 000	1 200
Intermittent torque	mNm	2 000	2 000	2 000	2 000	2 000	2 000	2 000	2 000	2 000
Weight without motor, ca. ¹⁾	g	66	71	71	79	79	85	85	92	92
Efficiency, max.	%	81	73	73	66	66	59	59	53	53
Direction of rotation, drive to output		=	≠	≠	=	=	≠	≠	=	=
Reduction ratio ²⁾ (rounded)		5,42:1	10,3:1	18,2:1	34,7:1	61,1:1	116:1	205:1	391:1	689:1
L2 [mm] = length without motor ³⁾		23,8	23,8	23,8	29,8	29,8	29,8	29,8	32,9	32,9
L1 [mm] = length with motor										
2224U...SR		43,5	43,5	43,5	49,5	49,5	49,5	49,5	52,6	52,6
2230U...S		49,3	49,3	49,3	55,3	55,3	55,3	55,3	58,4	58,4
2232U...SR		51,5	51,5	51,5	57,5	57,5	57,5	57,5	60,6	60,6
2233U...S		51,9	51,9	51,9	57,9	57,9	57,9	57,9	61,0	61,0
2342S...CR		65,8	65,8	65,8	71,8	71,8	71,8	71,8	74,9	74,9
2232S...BSL		56,2	56,2	56,2	62,2	62,2	62,2	62,2	65,3	65,3
2248S...BSL		71,8	71,8	71,8	77,8	77,8	77,8	77,8	80,9	80,9
2444S...B		67,8	67,8	67,8	73,8	73,8	73,8	73,8	76,9	76,9

¹⁾ Type 38/3... - K700 with square flange has an additional weight of 17 g.

²⁾ The reduction ratios are rounded, the exact values are available on request or at www.faulhaber.com.

³⁾ L2 - 4,5 mm, in combination with 2224U...SR, 2230U...S, 2232U...SR and 2233U...S.



Spur Gearheads

1,2 Nm

For combination with
DC-Micromotors
Brushless DC-Motors

Series 38/3

	38/3
Housing material	plastic/metal
Geartrain material	plastic/steel
Recommended max. input speed for:	
– continuous operation	5 000 rpm
Backlash, at no-load	≤ 2 °
Bearings on output shaft	sintered bearings
Shaft load, max.:	
– radial (15 mm from mounting face)	≤ 50 N
– axial	≤ 30 N
Shaft press fit force, max.	≤ 500 N
Shaft play	
– radial (15 mm from mounting face)	≤ 0,07 mm
– axial	≤ 0,5 mm
Operating temperature range	- 15 ... + 65 °C

Specifications

Number of gear stages		7	7
Continuous torque	mNm	1 000	1 200
Intermittent torque	mNm	2 000	2 000
Weight without motor, ca. ¹⁾	g	94	94
Efficiency, max.	%	48	48
Direction of rotation, drive to output		≠	≠
Reduction ratio ²⁾ (rounded)		586:1	1 034:1
L2 [mm] = length without motor		32,9	32,9
L1 [mm] = length with motor			
	2342S...CR	74,9	74,9
	2232S...BSL	65,3	65,3
	2248S...BSL	80,9	80,9
	2444S...B	76,9	76,9

¹⁾ Type 38/3... - K700 with square flange has an additional weight of 17 g.

²⁾ The reduction ratios are rounded, the exact values are available on request or at www.faulhaber.com.

