

Spur Gearheads

1,416 oz-in

Motor and Gearhead combinations:
G24 fits motor series GNM3125

Series G24

		G24
Housing material		metal
Backlash, at no-load		≤ 1.0°
Shaft load, max.:		
– radial	lbs	15.75
– axial	lbs	0

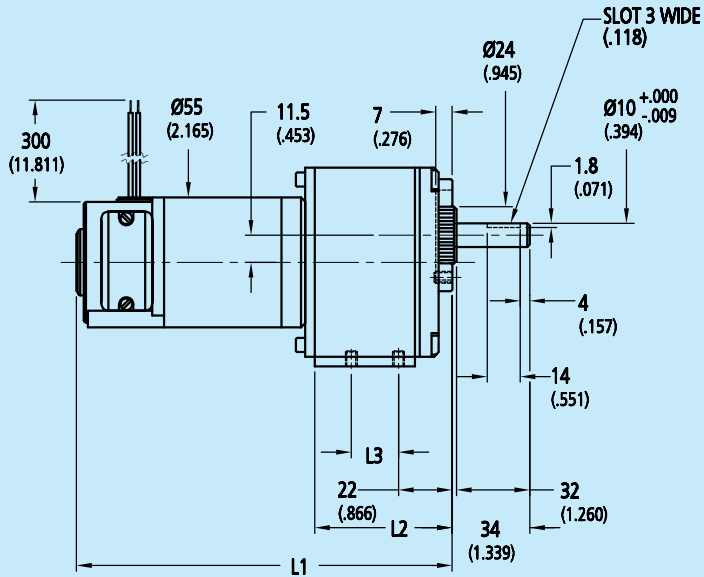
Series G24 with Motor Series GNM 3125

reduction ratio	weight without motor		length with motor GNM 3125		output torque				direction of rotation (reversible)	efficiency %
	Kg	lbs	mm	in	continuous operation		intermittent operation			
					M max. Nm	M max. oz-in	M max. Nm	M max. oz-in		
15:1	0.78	1.72	159	6.26	1.3	184	1.6	227	=	77
20:1	0.78	1.72	159	6.26	1.6	227	2.0	283	=	77
30:1	0.88	1.94	159	6.26	2.3	326	3.0	425	=	69
40:1	0.88	1.94	159	6.26	2.9	411	3.7	524	=	69
45:1	0.88	1.94	159	6.26	3.3	467	4.2	595	=	69
60:1	0.88	1.94	159	6.26	4.2	595	5.4	765	=	65
80:1	0.93	2.05	159	6.26	5.4	765	7.0	991	=	65
90:1	0.93	2.05	159	6.26	6.0	850	7.8	1,105	=	65
120:1	0.93	2.05	159	6.26	8.0	1,133	10.4	1,473	=	60
135:1	0.93	2.05	159	6.26	8.9	1,260	11.6	1,643	=	60
240:1	0.98	2.16	169	6.65	10	1,416	12	1,699	=	55
270:1	0.98	2.16	169	6.65	10	1,416	12	1,699	=	55
360:1	0.98	2.16	169	6.65	10	1,416	12	1,699	=	55
405:1	0.98	2.16	169	6.65	10	1,416	12	1,699	=	55
540:1	0.98	2.16	169	6.65	10	1,416	12	1,699	=	55

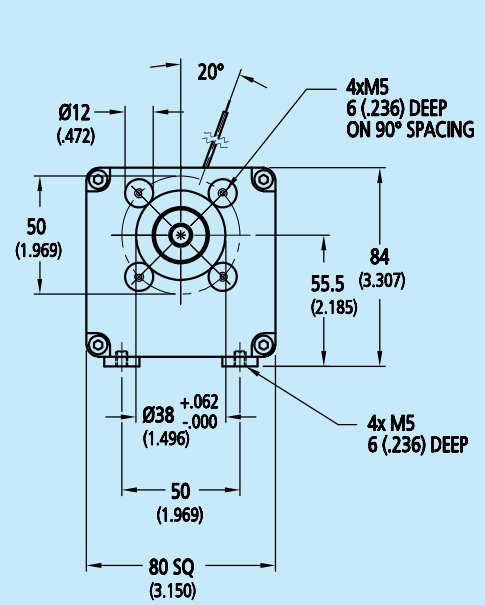
For notes on technical data refer to "Technical Information". Specifications subject to change without notice. MIMED0306

Series G24

Dimensional outlines for G24 with GNM3125



GNM 3125 + G24



Front View

MODEL	RATIO	DIMENSIONS - mm (in)		
		L1	L2	L3
GNM 3125 + G24	15:1-135:1	159 (6.260)	58.5 (2.303)	20 (.787)
	240:1-540:1	169 (6.654)	68.5 (2.697)	30 (1.181)