

Spur Gearheads

5,310 oz-in

Motor and Gearhead combinations:
G50.1 fits motor series GNM70130

Series G50.1

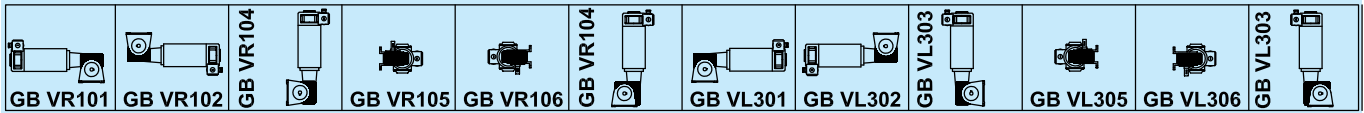
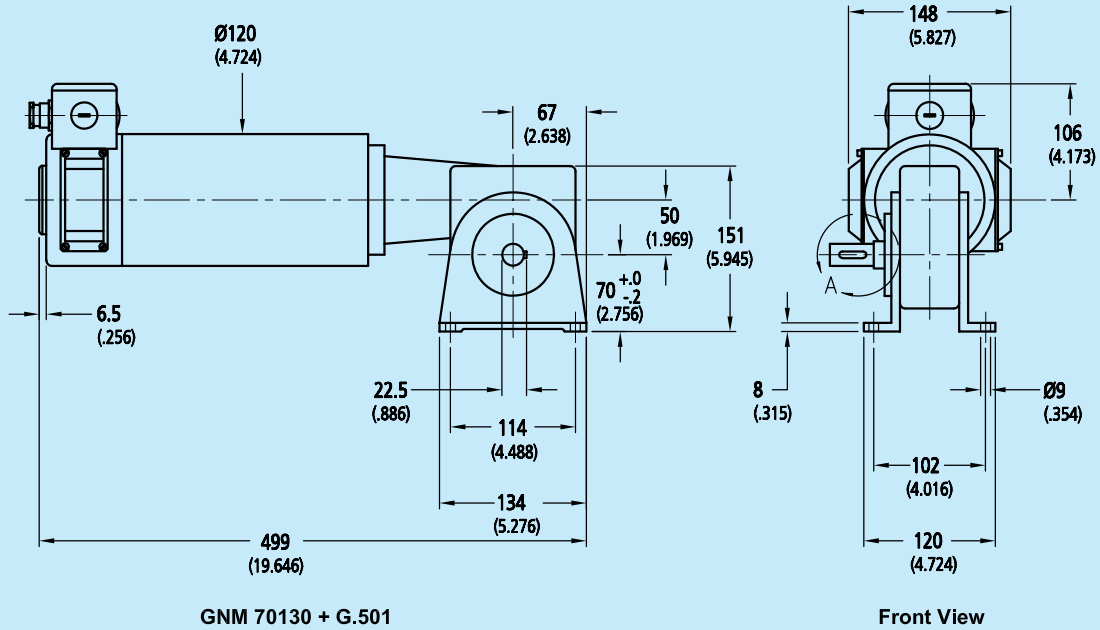
		G50.1
Housing material		metal
Backlash, at no-load		≤ 1.0°
Shaft load, max.:		
– radial	lbs	247.5
– axial	lbs	99

Series G50.1 with Motor Series GNM 70130										
reduction ratio	weight without motor		length with motor		output torque				direction of rotation (reversible)	efficiency
	Kg	lbs	GNM 70130		continuous operation		intermittent operation			
			mm	in	M max. Nm	M max. lb-in	M max. Nm	M max. lb-in		%
10:1	6.80	15	499	19.65	25	221.3	100	885.1	=	84
14:1	6.80	15	499	19.65	26	230.1	100	885.1	=	80
20:1	6.80	15	499	19.65	37.5	331.9	100	885.1	=	71
28:1	6.80	15	499	19.65	37.5	331.9	100	885.1	=	66
40:1	6.80	15	499	19.65	37.5	331.9	100	885.1	=	58

For notes on technical data refer to "Technical Information". Specifications subject to change without notice. MIMED0306

Series G50.1

Dimensional outlines for G50.1 with GNM70130



For notes on technical data refer to "Technical Information". Specifications subject to change without notice. MME0306