

Worm Gearheads

1,133 oz-in

Motor and Gearhead combinations:
 G2.6 fits motor series GNM3150
 G3.1 fits motor series GNM5440

Series G2.6 & G3.1

	G2.6	G3.1
Housing material	metal	metal
Backlash, at no-load	≤ 1.5°	≤ 1.5°
Shaft load, max.:		
– radial	lbs 33.8	45
– axial	lbs 13.5	18

Series G2.6 with Motor Series GNM 3150

reduction ratio	weight without motor		length with motor GNM 3150		output torque				direction of rotation (reversible)	efficiency
					continuous operation		intermittent operation			
					M max. Nm	M max. oz-in	M max. Nm	M max. oz-in		
4.8:1	Kg 0.45	lbs 0.99	mm 179	in 7.05	0.7	99.1	7	991.3	=	82
9.33:1	0.45	0.99	179	7.05	1.3	184.1	7	991.3	=	80
12:1	0.45	0.99	179	7.05	1.6	226.6	7	991.3	=	80
14.5:1	0.45	0.99	179	7.05	2.0	283.2	7	991.3	=	78
20:1	0.45	0.99	179	7.05	2.4	339.9	8	1,132.9	=	70
25:1	0.45	0.99	179	7.05	2.7	382.4	8	1,132.9	=	66
30:1	0.45	0.99	179	7.05	3.0	424.8	7	991.3	=	67
36:1	0.45	0.99	179	7.05	2.5	354.0	5	708.1	=	63

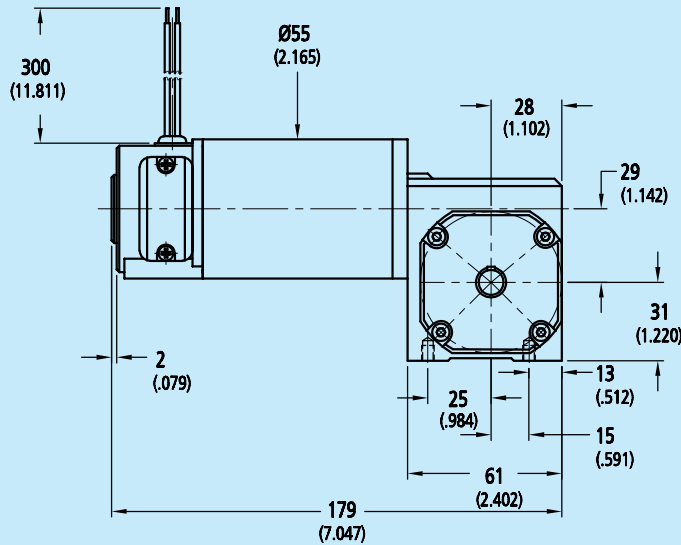
Series G3.1 with Motor Series GNM 5440

reduction ratio	weight without motor		length with motor GNM 5440		output torque				direction of rotation (reversible)	efficiency
					continuous operation		intermittent operation			
					M max. Nm	M max. oz-in	M max. Nm	M max. oz-in		
5.6:1	Kg 1.0	lbs 2.20	mm 251	in 9.88	2.7	382.3	13	1,841	=	85
9.33:1	1.0	2.20	251	9.88	2.8	396.5	13	1,841	=	85
14.5:1	1.0	2.20	251	9.88	3.8	538.1	13	1,841	=	82
17:1	1.0	2.20	251	9.88	4.2	549.8	13	1,841	=	78
30:1	1.0	2.20	251	9.88	8	1,133	13	1,841	=	72
35:1	1.0	2.20	251	9.88	8	1,133	13	1,841	=	69

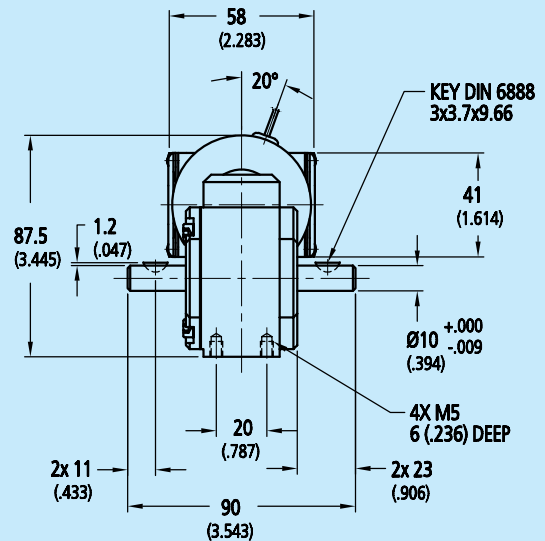
For notes on technical data refer to "Technical Information". Specifications subject to change without notice. MIMED306

Series G2.6 & G3.1

Dimensional outlines for 3150 + G2.6

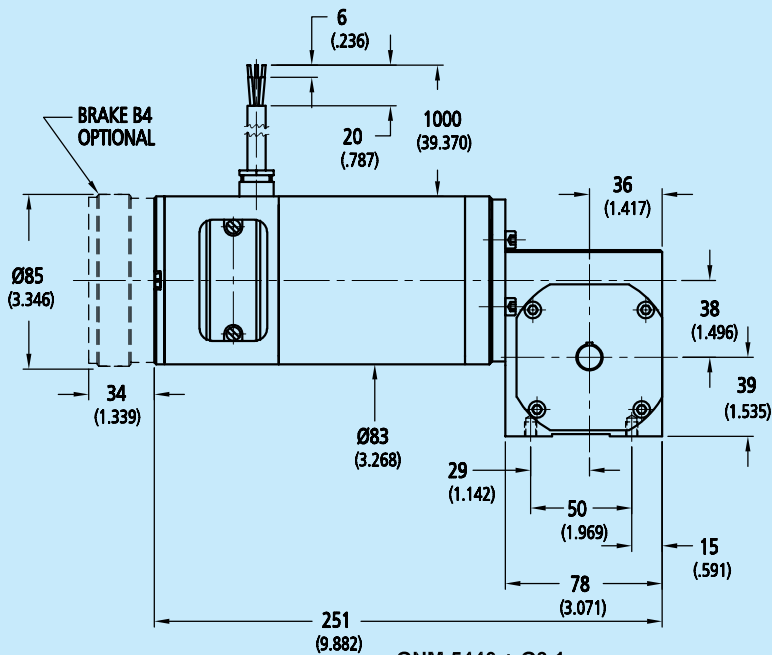


GNM 3150 + G2.6

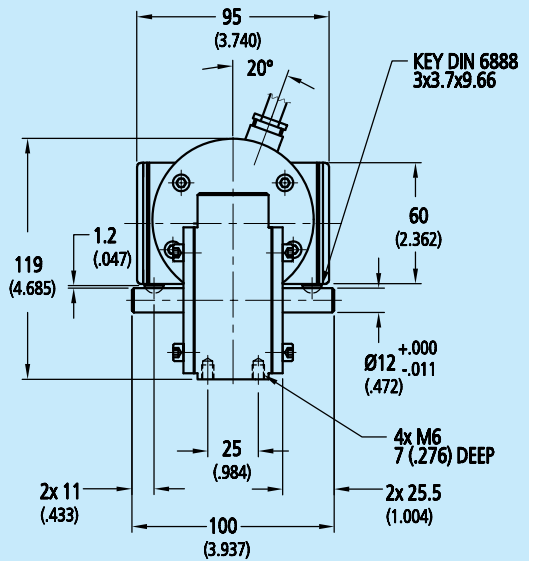


Front View

Dimensional outlines for 5440 + G3.1



GNM 5440 + G3.1



Front View

For notes on technical data refer to "Technical Information". Specifications subject to change without notice. MME0306