

Planetary Gearheads

92.9 lb-in

Motor and Gearhead combinations:
GP48.2 fits motor series GNM2636A & GNM2670A

Series GP48.2

		GP48.2
Housing material		metal
Backlash, at no-load		≤ 2.0°
Shaft load, max.:		
– radial	lbs	40.5
– axial	lbs	33.8

Series GP48.2 with Motor Series GNM 2670A

reduction ratio	weight without motor		length with motor GNM 2670A		output torque				direction of rotation (reversible)	efficiency
					continuous operation		intermittent operation			
					M max. Nm	M max. lb-in	M max. Nm	M max. lb-in		
5:1	0.37	13.1	198	7.80	1	8.85	3	26.6	=	90
6:1	0.37	13.1	198	7.80	1.3	11.5	3.5	31.0	=	90
7.66:1	0.37	13.1	198	7.80	1	8.85	3	26.6	=	90
21:1	0.56	19.8	214.5	8.44	3.2	28.3	12	106.2	=	85
25:1	0.56	19.8	214.5	8.44	4	35.4	14.5	128.3	=	85
30:1	0.56	19.8	214.5	8.44	4.8	42.5	14.5	128.3	=	85
36:1	0.56	19.8	214.5	8.44	5.5	48.7	16	141.6	=	85
46:1	0.56	19.8	214.5	8.44	5.6	49.6	16	141.6	=	85
59:1	0.56	19.8	214.5	8.44	6	53.1	16	141.6	=	85
94:1	0.74	26.1	231.5	9.11	7.5	66.4	18	159.3	=	80
125:1	0.74	26.1	231.5	9.11	8.5	75.2	20	177.0	=	80
150:1	0.74	26.1	231.5	9.11	9	79.7	20	177.0	=	80

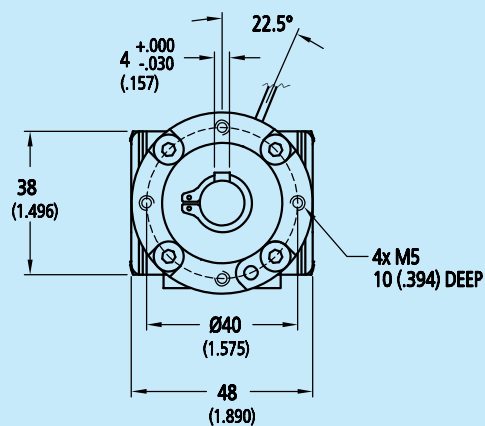
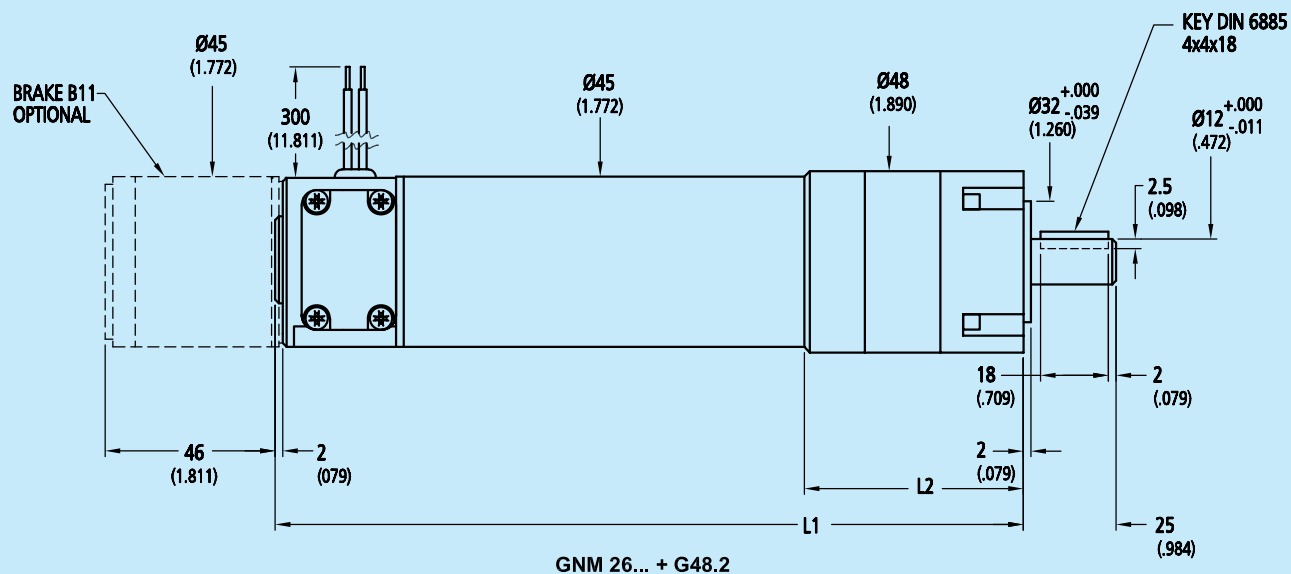
Series GP48.2 with Motor Series GNM 2636A

reduction ratio	weight without motor		length with motor GNM 2636A		output torque				direction of rotation (reversible)	efficiency
					continuous operation		intermittent operation			
					M max. Nm	M max. lb-in	M max. Nm	M max. lb-in		
180:1	0.74	26.1	187.5	7.38	10.5	92.9	20	177.0	=	80
216:1	0.74	26.1	187.5	7.38	10.5	92.9	20	177.0	=	80
293:1	0.74	26.1	187.5	7.38	10.5	92.9	20	177.0	=	80
352:1	0.74	26.1	187.5	7.38	10.5	92.9	20	177.0	=	80
450:1	0.74	26.1	187.5	7.38	9	79.7	18	159.3	=	80

For notes on technical data refer to "Technical Information". Specifications subject to change without notice. MWME0306

Series GP48.2

Dimensional outlines for GP48.2 with GNM2636 & GNM2670



Front View

MOTOR TYPE	RATIO	DIMENSION mm (in)	
		L1	L2
GNM 2670 A	5:1 - 7.66:1	198 (7.795)	58 (2.283)
GNM 2670 A	21:1 - 59:1	214.5 (8.445)	74.5 (2.933)
GNM 2670 A	94:1 - 150:1	231.5 (9.114)	91.5 (3.602)
GNM 2636 A	180:1 - 450:1	187.5 (7.382)	91.5 (3.602)