

Planetary Gearheads

3,115 oz-in

Motor and Gearhead combinations:
 G11.1 fits motor series GNM3175
 G11.2 fits motor series GNM4150
 G11.8 fits motor series GNM4175

Series G11.1, G11.2 & G11.8

		G11.1, G11.2 & G11.8	
Housing material		metal	
Backlash, at no-load		≤ 1.5°	
Shaft load, max.:			
– radial	lbs	40.5	
– axial	lbs	33.8	

Series G11.1 with Motor Series GNM 3175

reduction ratio	weight without motor		length with motor GNM 3175		output torque				direction of rotation (reversible)	efficiency %
	Kg	lbs	mm	in	continuous operation		intermittent operation			
					M max. Nm	M max. oz-in	M max. Nm	M max. oz-in		
8.3:1	0.90	1.98	200	7.87	1.5	212	3	425	=	85
17.1:1	1.10	2.43	218.5	8.60	2.8	397	5.6	793	=	70
22.4:1	1.10	2.43	218.5	8.60	3.7	524	7.5	1,062	=	70
34.5:1	1.10	2.43	218.5	8.60	5.2	736	10.5	1,487	=	70
45:1	1.10	2.43	218.5	8.60	7.5	1,062	15	2,124	=	70
71.1:1	1.40	3.09	237	9.33	10	1,416	20	2,832	=	55
92.7:1	1.40	3.09	237	9.33	12	1,699	24	3,399	=	55
120.8:1	1.40	3.09	237	9.33	16	2,266	30	4,248	=	55
143:1	1.40	3.09	237	9.33	20	2,832	30	4,248	=	55
186.4:1	1.40	3.09	237	9.33	20	2,832	30	4,248	=	55
242.9:1	1.40	3.09	237	9.33	22	3,115	30	4,248	=	55

Series G11.2 with Motor Series GNM 4150

reduction ratio	weight without motor		length with motor GNM 4150		output torque				direction of rotation (reversible)	efficiency %
	Kg	lbs	mm	in	continuous operation		intermittent operation			
					M max. Nm	M max. oz-in	M max. Nm	M max. oz-in		
8.3:1	0.95	2.09	198	7.80	1.6	227	3.6	510	=	85
17.1:1	1.15	2.54	216.5	8.52	2.8	397	5.6	793	=	70
22.4:1	1.15	2.54	216.5	8.52	3.7	524	7.5	1,062	=	70
34.5:1	1.15	2.54	216.5	8.52	5.8	821	12	1,699	=	70
45:1	1.15	2.54	216.5	8.52	7.5	1,062	15	2,124	=	70
71.1:1	1.45	3.20	235	9.25	10	1,416	20	2,832	=	55
92.7:1	1.45	3.20	235	9.25	12	1,699	24	3,399	=	55
120.8:1	1.45	3.20	235	9.25	16	2,266	30	4,248	=	55
143:1	1.45	3.20	235	9.25	19	2,691	30	4,248	=	55
186.4:1	1.45	3.20	235	9.25	22	3,115	30	4,248	=	55
242.9:1	1.45	3.20	235	9.25	22	3,115	30	4,248	=	55

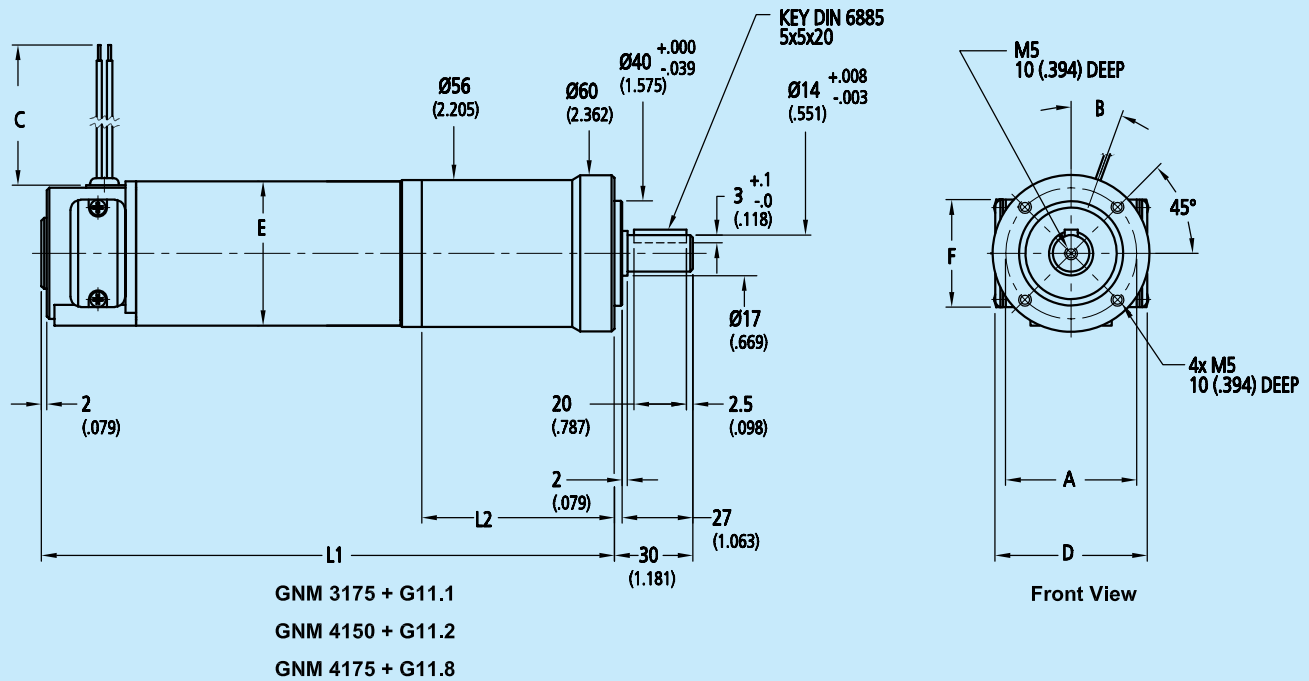
Series G11.8 with Motor Series GNM 4175

reduction ratio	weight without motor		length with motor GNM 4175		output torque				direction of rotation (reversible)	efficiency %
	Kg	lbs	mm	in	continuous operation		intermittent operation			
					M max. Nm	M max. in-lb	M max. Nm	M max. in-lb		
4.14:1	0.95	2.09	236	9.29	2.5	22.1	14	123.9	=	85
5.4:1	0.95	2.09	236	9.29	3.0	26.6	16	141.6	=	85
8.33:1	0.95	2.09	236	9.29	4.0	35.4	18	159.3	=	85
17.1:1	1.15	2.54	254.5	10.02	8.5	75.2	25	221.3	=	70
22.4:1	1.15	2.54	254.5	10.02	10.8	95.6	25	221.3	=	70
34.5:1	1.15	2.54	254.5	10.02	10.0	88.5	30	265.5	=	70
45:1	1.15	2.54	254.5	10.02	15.0	132.8	30	265.5	=	70

For notes on technical data refer to "Technical Information". Specifications subject to change without notice. MIMED0306

Series G11.1, G11.2 & G11.8

Dimensional outlines for G11.1 + GNM3175
G11.2 + GNM4150
G11.8 + GNM4175



DIMENSION mm (in)

MODEL	RATIO	L1	L2	A	B	C	D	E	F
3175+ G11.1	8.3:1	200 (7.874)	55 (2.165)	50 (1.969)	20°	300 (11.811)	58 (2.283)	Ø55 (2.165)	41 (1.614)
	17.1:1 - 45:1	218.5 (8.602)	73.5 (2.894)						
	71.1:1 - 242.9:1	237 (9.331)	92 (3.622)						
4150+ G11.2	8.3:1	198 (7.795)	55 (2.165)	50 (1.969)	22.5°	1000 (39.370)	76 (2.992)	Ø70 (2.756)	51 (2.008)
	17.1:1 - 45:1	216.5 (8.524)	73.5 (2.894)						
	71.1:1 - 242.9:1	235 (9.252)	92 (3.622)						
4175+ G11.8	4.14:1 - 8.3:1	236 (9.291)	55 (2.165)	50 (1.969)	22.5°	1000 (39.370)	76 (2.992)	Ø70 (2.756)	57 (2.244)
	17.1:1 - 45:1	255 (10.039)	73.5 (2.894)						

Dimensions are given in mm (in)
Dimensions with no tolerance indicated are as follows:

For Dimensions:	Tolerance
Less than or equal to 6 mm	±.1 mm (.0039in)
Less than or equal to 30 mm	±.2 mm (.0079in)
Less than or equal to 120 mm	±.3 mm (.0118in)
Less than or equal to 400mm	±.5 mm (.0197in)
Less than or equal to 1000 mm	±.8 mm (.0315in)