

Encoders

Magnetic Encoders

Features:
 32, 64, 128, 256 Lines per revolution
 3 Channels
 Digital output

Series HEM3-256-W

		HEM3-256-W	
Signal output, square wave		3	channels
Supply voltage ¹⁾	V _{DD}	3,0 ... 3,6	V DC
Supply voltage ²⁾	V _{DD}	4,5 ... 5,5	V DC
Current consumption, typical (V _{DD} = 3,3 or 5 V DC)	I _{DD}	16	mA
Output current, max. ³⁾ (V _{DD} = 3,3 / 5 V DC)	I _{OUT}	2 / 4	mA
Pulse width	P	180 ± 45	°e
Phase shift, channel A to B	Φ	90 ± 45	°e
Logic state width	S	90 ± 45	°e
Signal rise/fall time, max (C _{LOAD} = 50 pF)	tr/tf	0,1 / 0,1	µs
Rotational speed up to	n _{max.}	30 000	rpm
Inertia of code disc	J	0,02	gcm ²
Operating temperature range		-30 ... +85	°C

¹⁾ V_{DD} = 3,3 V DC: Connect pins 3 and 4 to 3,3 V DC

²⁾ V_{DD} = 5 V DC: Connect pin 3 to 5 V DC, do not connect pin 4

³⁾ V_{DD} = 5 V DC: Low logic level < 0,5 V, high logic level > 4,5 V: CMOS and TTL compatible

Ordering information

Encoder	number of channels	lines per revolution	for combination with: DC-Micromotors series
HEM3-032-W	3	32	} 0816 ... S 1016 ... G, 1024 ... S 1224 ... SR
HEM3-064-W	3	64	
HEM3-128-W	3	128	
HEM3-256-W	3	256	

Note: Lines per revolution refers to pre-quadrature resolution and equals the cycles per revolution

Features

These incremental shaft encoders in combination with the FAULHABER DC-Micromotors are designed for indication and control of both shaft velocity and direction of rotation as well as for positioning.

Solid state sensors and a low inertia magnetic disc provide two channels with 90° phase shift and one index channel.

The nominal supply voltage for the encoder is selectable and either 3,3 VDC or 5,0 VDC.

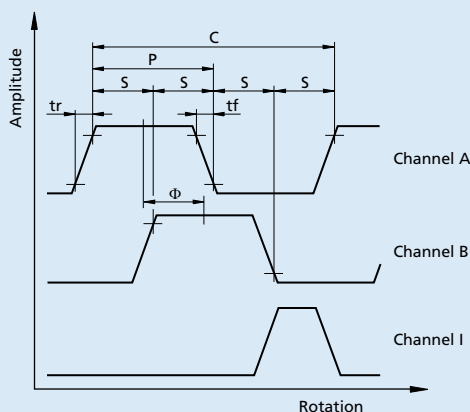
The supply voltage for the encoder and the DC-Micromotor as well as the output signals are interfaced with discrete wires and an 8-pin Molex crimp style connector.

Details for the DC-Micromotors and suitable reduction gearheads are on separate catalog pages.

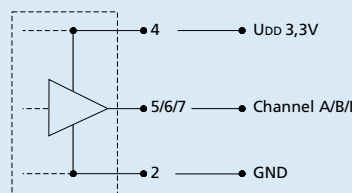
Output signals / Circuit diagram / Connector information

Output signals

with clockwise rotation as seen from the shaft end

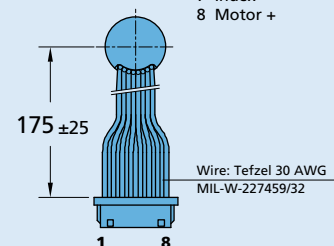


Output circuit



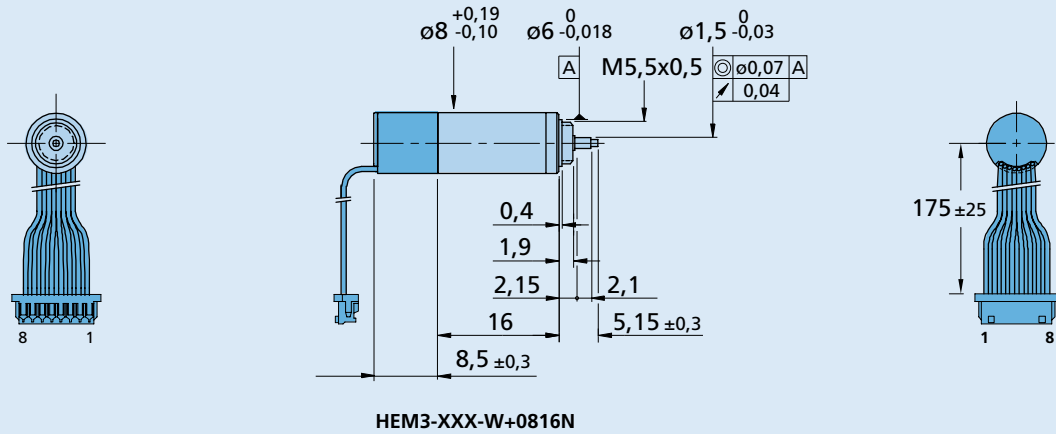
Pin Function

- 1 Motor -
- 2 GND
- 3 U_{DD} 5V
- 4 U_{DD} 3,3V
- 5 Channel A
- 6 Channel B
- 7 Index
- 8 Motor +

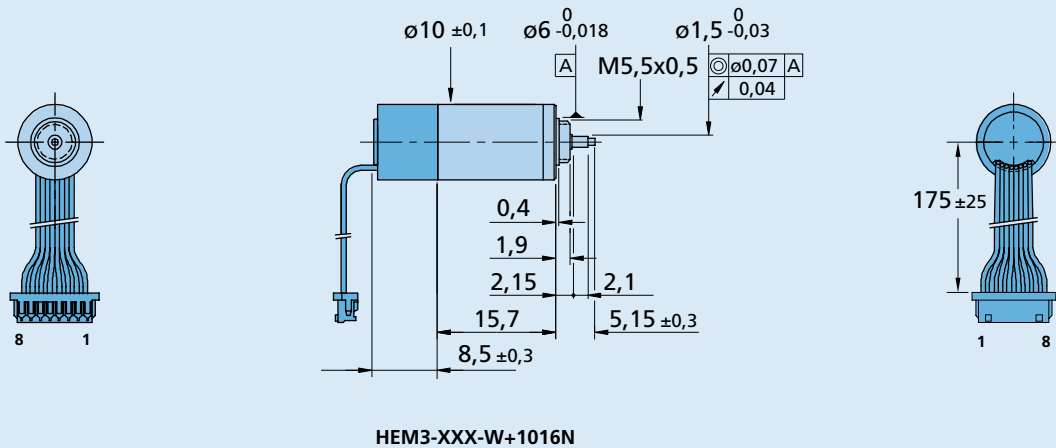


Connector
 Molex 51021-0800
 grid 1,25 mm

DC-Micromotor 0816 N ... S - K1707 with Encoder HEM3-XXX-W



DC-Micromotor 1016 N ... G - K1707 with Encoder HEM3-XXX-W



DC-Micromotor 1024 N ... S - K1707 with Encoder HEM3-XXX-W

