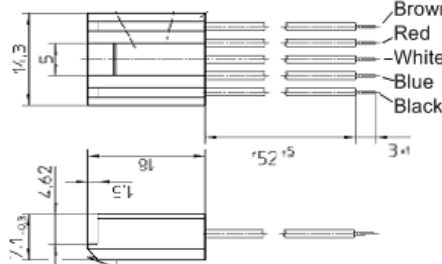
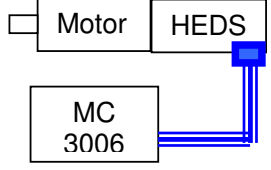
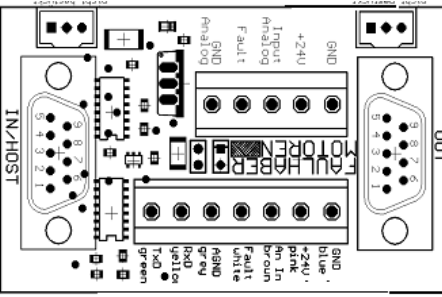
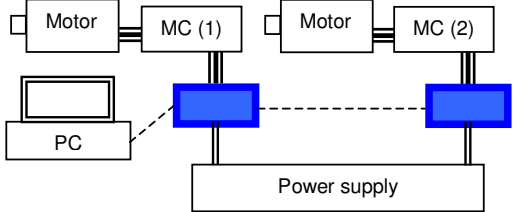
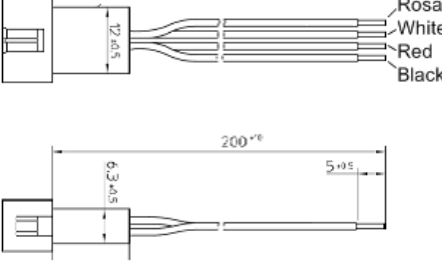
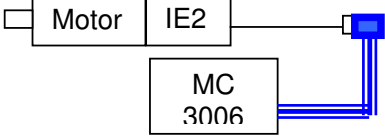
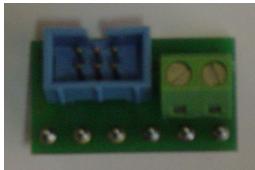
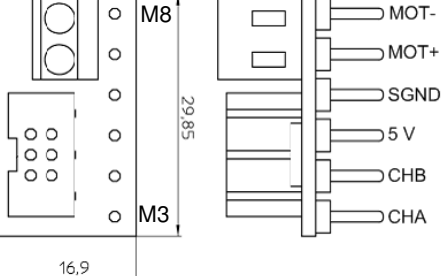
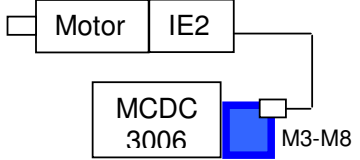
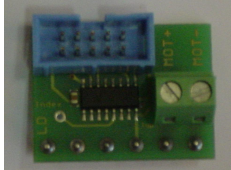
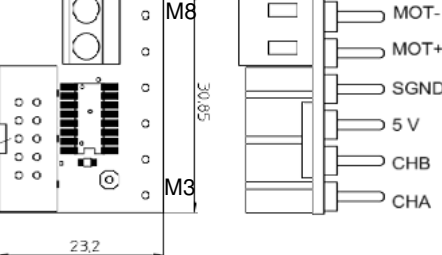
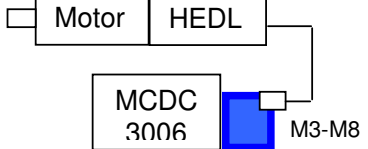


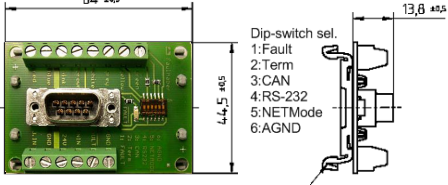
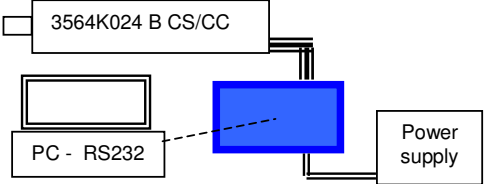
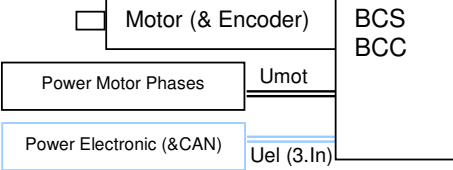
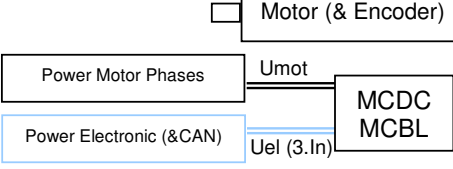

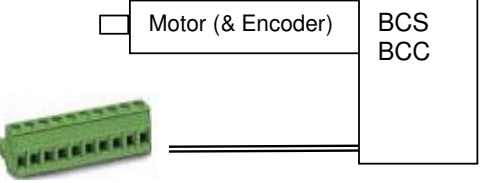
Accessories for MCDC/BL 3006 S/C, 3564 CS/CC, BRC



Product part number (for ordering)	Design	Use
<p>6501.00001 (152 mm) 6501.00002 (600 mm) HEDS Connector cable for MCDC 3006 S/C & MCBL 3006 S/C</p>	<p>152 mm length 600 mm length</p> 	<p>Connector used to connect the HEDS with the MC 3006 (HEDS Connector cable goes in MC 3006)</p> 
<p>6501.00008 Multiplexer board for MCDC 3006 S & MCBL 3006 S & 3564 K 024 BCS</p>		<p>Normally the Multiplexer board is not necessary with the NET1 setting. Same board as for MC 2805.</p> 
<p>6501.00025 IE2 Connector cable for MCDC 3006 S/C & MCBL 3006 S/C</p>		<p>Connector used to connect the IE2-xx with the MC 3006 (Plug IE2 cable in the connector and the 'connector cable' into the MC) VCC, red; GND, black; CHA, white; CHB, rosa</p> 
<p>6501.00063 IE2 Adapter for MCDC 3006 S/C</p> 		<p>IE2 cable goes directly to the Adapter. Plug the Adapter into the MCDC 3006.</p> 
<p>6501.00064 HEDL Adapter for MCDC 3006 S/C</p> 		<p>HEDL cable goes directly in Adapter with integrated line driver. Plug the Adapter into the MCDC 3006.</p> 

Accessories for MCDC/BL 3006 S/C, 3564 CS/CC, BRC

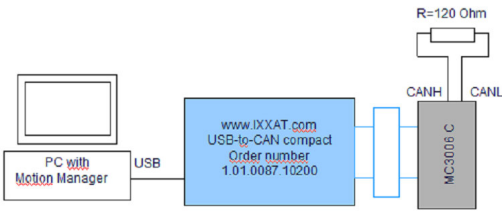
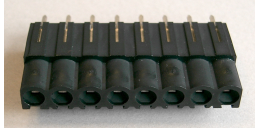
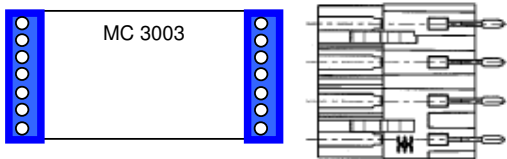

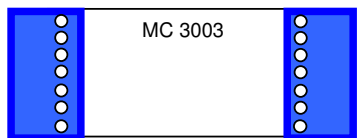


<p>6501.00065 Adapter board for 3564K024 B CS/CC</p>	<p>Dip switch to configure S or C and to disconnect Agnd from Gnd (necessary for Gearing Mode)</p> 	<p>Adapter board to connect the 3564K024 B CS/CC easily to the network (RS232 / CANopen) and the power supply.</p> 
<p>Option 2993 Electronic powered separately 3564 K 024 B CS/CC</p>	<p>Note that CANopen communication becomes less sensitive to interference ...</p> <p>Order example: 3564 K 024 B CC 2993</p> <p>Option is free of charge</p>	<p>Separate power supply for the electronics. The electronic supply is connected to the 3th input.</p> 
<p>Option 3085 Electronic powered separately for MCDC 3003/06 S/C & MCBL 3003/06 S/C</p>	<p>Note that CANopen communication becomes less sensitive to interference ...</p> <p>Order example: MCDC 3006 S 3085</p> <p>Option is free of charge</p>	<p>Separate power supply for the electronics. The electronic supply is connected to the 3th input.</p> 
<p>Option 3310 Compatible settings for MCDC 3003/06 S/C & MCBL 3003/06 S/C & 3564 K 024 B CS/CC</p>	<p>Controller comes with following settings: ANSW1, EN, SOR1, COMPATIBLE1, POR4, I20, PP15, PD5, SP10000, SETTTL</p> <p>Order example: MCDC 3006 S 3310</p>	<p>Presetting The new generation controllers are supplied pre-configured as per the previous generation. Max. compatibility Option -3310, no price supplement applies.</p>
<p>Option 3521 For low temperature MCBL3006S</p>	<p>Operating temperature range From -40 °C to +70 °C</p> <p>Delivery time: 10 to 12 Weeks</p>	<p>Order ID: MCBL 3006 S 3521</p>
<p>Option to be defined (only on request) BCC or BCS with Phoenix Contact connector</p>	<p>Connector set involves: Motor with Phoenix connector - Nr.: 1754562</p>  <p>http://www.phoenixcontact.com</p> <p>Note: K numbers are not defined yet.</p>	<p>Motor is assembled with a Phoenix connector</p> 

Accessories for MCDC/BL 3006 S/C, 3564 CS/CC, BRC



NON FAULHABER products

<p>IXXAT converter (No FAULHABER nr.) for MCDC 3003 C & MCBL 3003 C</p>	<p>IXXAT Product Available are: PCI-to-CAN interface ISA-to-CAN interface Ethernet-to-CAN interface PCMCIA-to-CAN interface USB-to-CAN interface Bluetooth-to-CAN interface http://www.ixxat.de Please note: This product is not offered by MINIMOTOR</p>	<p>Converts computer USB signals to CAN. Works with Motion Manager software (> v.3)</p> 
<p>OEM Connector (No FAULHABER nr.) for MCDC 3003 S/C & MCBL 3003 S/C</p> 	<p>Weidmüller Product Order-Nr.: 1781920000 Description: BLL5.00/8/180 4.5SN SW http://www.weidmueller.com (Product not in web page) Please note: This product is not offered by MINIMOTOR</p>	<p>Print connector for the OEM version MC 3003</p> 
<p>OEM Connector (No FAULHABER nr.) for MCDC 3003 S/C & MCBL 3003 S/C</p> 	<p>Phoenix Contact Product Order-Nr.: 1754562 Description: MSTB 2,5 / 8-ST http://www.phoenixcontact.com Please note: This product is not offered by MINIMOTOR</p>	<p>Screw connector for the OEM version MC 3003</p>  <p>Note: This connector can be used for testing</p>

3153 ... BRC

<p>Micro Socket Strip (No FAULHABER nr.) for 3153 BRC</p> 	<p>Part. Nr. Samtec: SMS-110-02-S-S MICRO SOCKET STRIP CENTERLINE: .050" (1,27MM)X.100" (2,54MM) www.samtec.com CH: www.sibalco.ch Please note: This product is not offered by MINIMOTOR</p>	<ul style="list-style-type: none"> • Through Hole • Available up to 50 Contacts Per Row • Single and Double Row • Gold and Selective Gold Plating 
--	--	--